

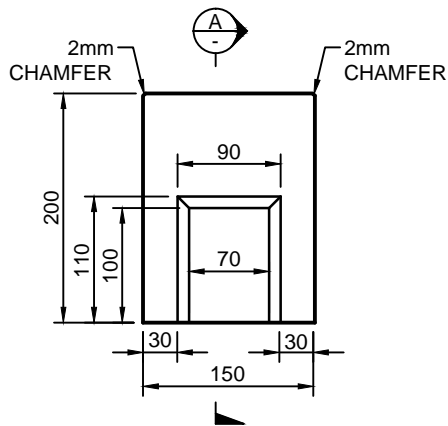
CITY of PERTH

Design and Construction Note

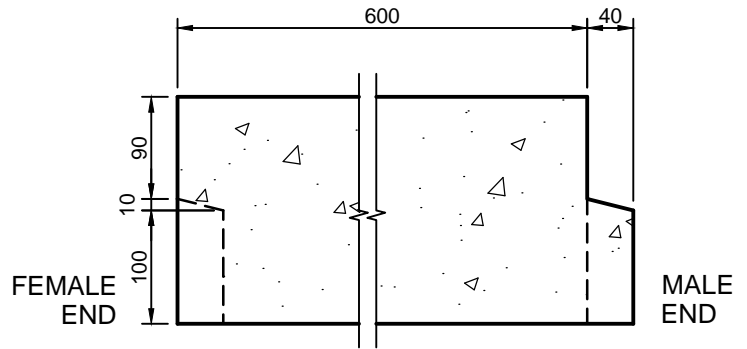
420.03

Standard Kerb Types and Installation Details Precast Concrete Flush Kerb

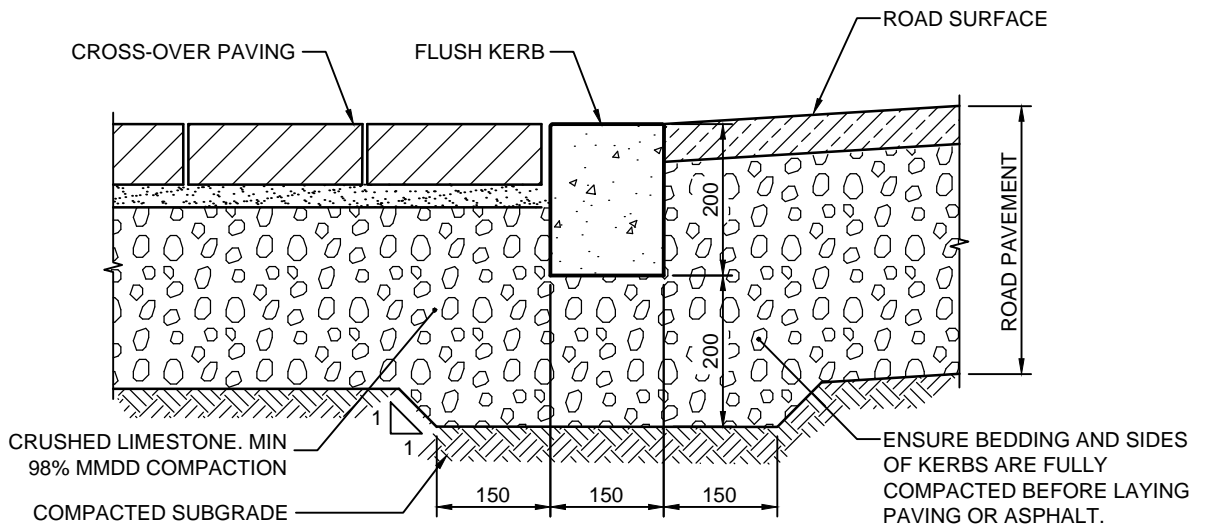
Reviewed: 15/12/2015



END ELEVATION



SECTION A



PRECAST FLUSH KERB LENGTH: 600mm

General Note:

1. For more information on concrete, mixing and tolerances of precast concrete kerbs refer *Design and Construction Note 420.01 - Precast Concrete Kerbs General Specification*.